

PRODUCT SHEET

3000 METI

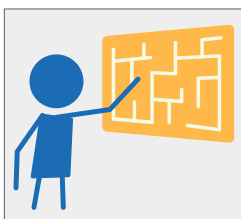
REV 0.0 - IT202509



SLIDING

CLIMBING

INTERACTIVE GAME



CATALOG COLLECTION

CODY LINE

DIMENSIONS (L X W X H)

260 X 430 X 230 cm

IMPACT AREA

27,50 m²

MAXIMUM CFH

60 cm

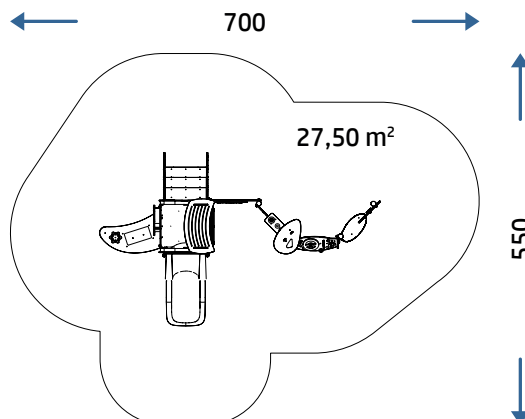
SUGGESTED AGE OF USE

2+

NUMBER OF USERS

15

SECURITY AREA



PRODUCT SHEET

3000 METI

REV 0.0 - IT202509

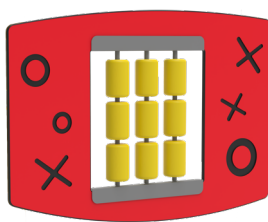
COMPOSITION

- n° 1 stainless steel AISI 304 supporting column
- n° 4 70x70 mm octagonal section aluminum posts
- n° 1 decks with powder-coated metal frame and anti-slip HDPE platform
- n° 1 HDPE sheet roof with HDPE sheet supports
- n° 1 powder-coated metal thrust bearing
- n° 1 stairs with recycled anti-slip HDPE steps
- n° 1 sandbox
- n° 1 roto-molded PTE modular slide (H60)
- HDPE sheet decorations

PLAY PANELS



MUSICAL PLAY PANEL X1



LUDIC PLAY PANEL X1

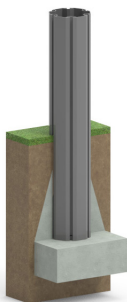


LUDIC PLAY PANEL X1



LUDIC PLAY PANEL X1

INSTALLATION



Where there is an aluminum pole, the plinth must be created directly on it.



If there is already an adequate fund in CLS the game can be supplied with special brackets for fixing to the ground (option applicable only with confirmation of feasibility).

Make a proper security surface according to CFH. Periodic maintenance is mandatory, following manual supplied to customer.

MATERIAL (mm)	DESCRIPTION (mm)	PROFONDITÀ MINIMA (mm) (b)	ALTEZZA MASSIMA DI CADUTA (mm)
LAWN/SOIL			1000 (d)
BARK	20 TO 80 GRAIN SIZE	200 300	2000 3000
WOOD CHIPS	20 TO 80 GRAIN SIZE	200 300	2000 3000
SAND	20 TO 80 GRAIN SIZE	200 300	2000 3000
GRAVEL	20 TO 80 GRAIN SIZE	200 300	2000 3000
RUBBER SURFACING RESPONDENT TO HIC	THICKNESS 30 MM		DEPENDING ON CERTIFICATION TESTS 1000
	THICKNESS 40 MM		1300
	THICKNESS 45 MM		1500
	THICKNESS 60 MM		2000
	THICKNESS 70 MM		2500
	THICKNESS 90 MM		3000